

SPECIFICATIONS

Material: HEXSEALS: Silicone rubber conforms to A-A-59588 Class 3B, GR 50 unless otherwise specified.

Mounting Nut: HEXSEALS: Brass, nickel-plated (unless otherwise noted)

Temperature Range: HEXSEALS: -94°F to +400°F

Pressure Range: Exceeds 15 psi internal and 1500 psi external.

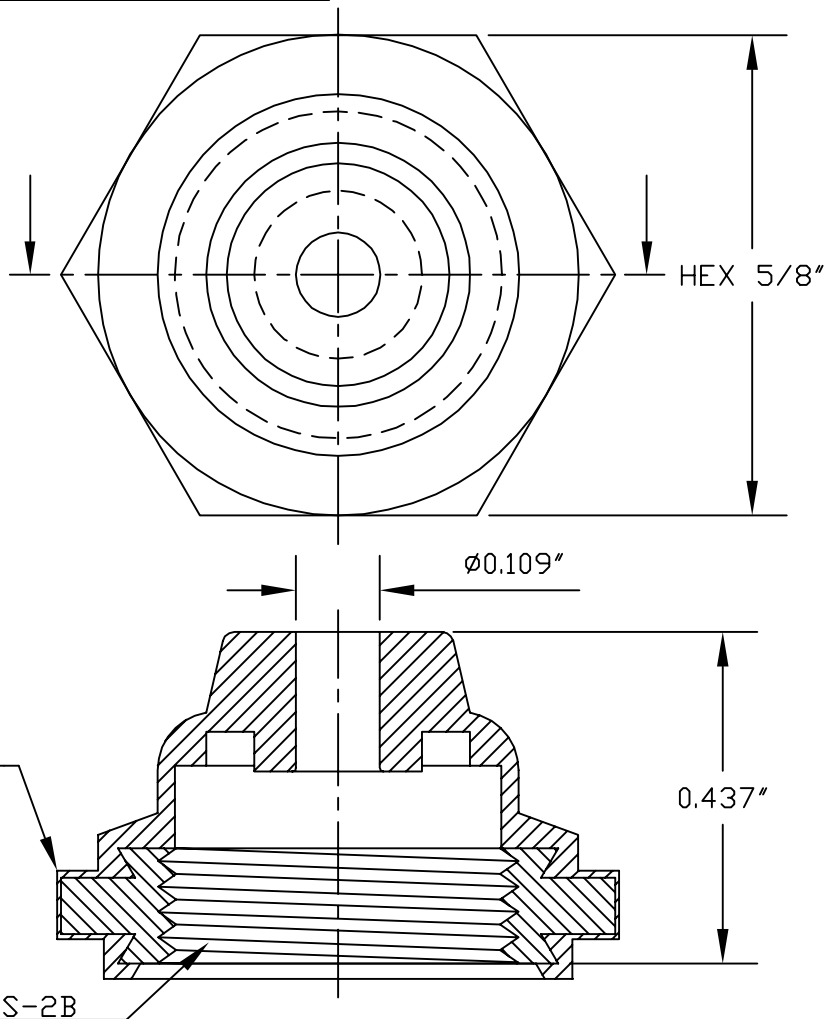
Operational Life: 50,000 actuations (minimum).

Shelf Life: Excess of 25 years.

Resistant to: Salt spray, sunlight, ozone, weather, fungus, and most acids and lubricating oils

Agency Recognition: E-SEELS and HEXSEALS are UL-listed to UL Std. 50 types 1-13, and meet CSA standards.

Installation: If a reducing adaptor is required - see page 14 of HEXSEAL catalog HEX200 for part numbers and drawing.



F	HOLE DIMENSION WAS CORRECTED from 0.078" to 0.109" PER MS SPEC.		S. GOK	03.04.09
E	CAD COMPUTER GENERATED			09.23.02
D	REDRAWN			10.11.74
REV.	DESCRIPTION			DATE
MAXIMUM AND MINIMUM MEASUREMENTS ARE STATED DIRECTLY ON EACH DIMENSION.		TITLE:	ENG.	
MAT'L: Silicone Rubber		BOOT TOGGLE SWITCH	DWN.	M.M.
A-A-59588, Gr.50		EXPOSED BAT (N-1030B)	CHKD.	06.06.61
FINISH: GRAY		APM-HEXSEAL CORPORATION	SCALE	(N-1030B)
			4 : 1	HEXSEAL ®
			DWG. NO.	

THIS DRAWING COVERS PROPRIETARY ITEM AND IS THE PROPERTY OF THE APM-HEXSEAL CORPORATION.
THIS DRAWING IS NOT TO BE COPIED OR USED WITHOUT THE WRITTEN APPROVAL OF AN OFFICER OF THE APM-HEXSEAL CORPORATION.